

DH-IPC-HFW4221B(-AS)

2MP Full HD WDR Network LXIR Bullet Camera



Features

- 1/2.7" 2Megapixel progressive scan CMOS
- Support H.264&MJPEG dual codec
- 25/30fps@1080P(1920×1080)
- Smart Detection supported
- WDR(120dB), Day/Night(ICR), 3DNR, AWB, AGC, BLC
- Multiple network monitoring: Web viewer, CMS(DSS/PSS) & DMSS
- 3.6mm fixed lens (6mm optional)
- 1/1 Alarm in/out, 1/1 audio in/out(only for -AS)
- Max. IR LEDs Length 50m
- Micro SD memory (only for -AS), IP67, PoE

DH-IPC-HFW4221B(-AS)**Technical Specifications**

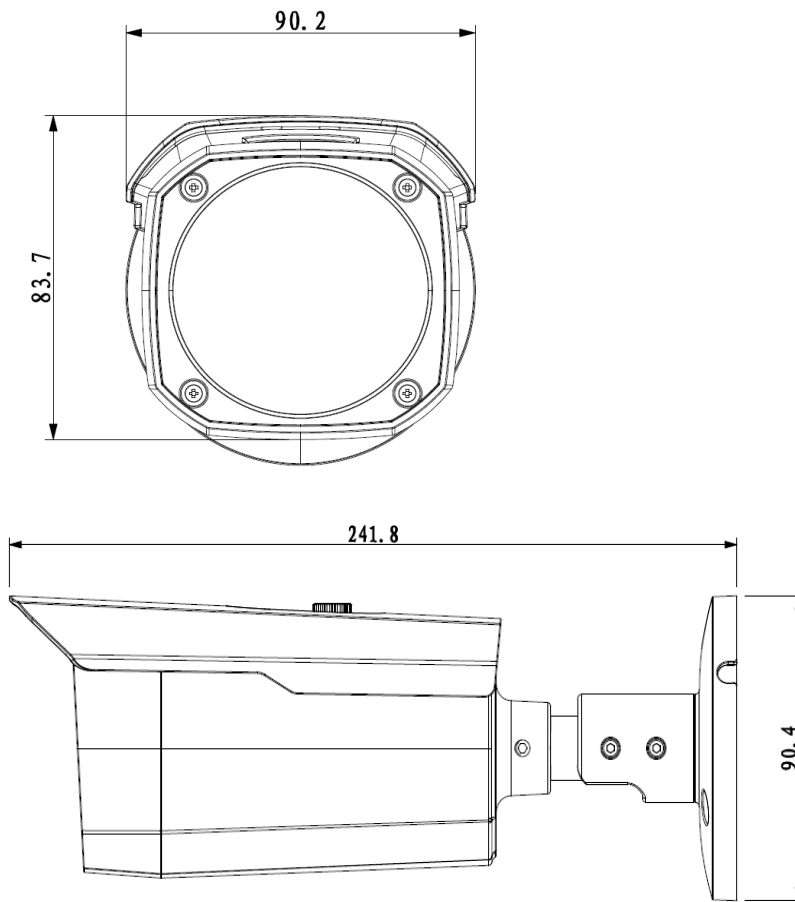
Model	DH-IPC-HFW4221B(-AS)	
Camera		
Image Sensor	1/2.7" 2Megapixel progressive scan CMOS	
Effective Pixels	1920(H)x1080(V)	
Scanning System	Progressive	
Electronic Shutter Speed	Auto/Manual, 1/3(4)~1/100000s	
Min. Illumination	0.01Lux/F2.0 (Color), 0Lux/F2.0(IR on)	
S/N Ratio	More than 50dB	
Video Output	N/A	
Camera Features		
Max. IR LEDs Length	50m	
Day/Night	Auto(ICR)/Color/B/W	
Backlight Compensation	BLC / HLC / WDR(120dB)	
White Balance	Auto/Sunny/Night/Outdoor/Customized	
Gain Control	Auto/Manual	
Noise Reduction	3D	
Privacy Masking	Up to 4 areas	
Lens		
Focal Length	3.6mm (6mm optional)	
Max Aperture	F2.0(F2.0)	
Focus Control	Manual	
Angle of View	H:91°(63°)	
Lens Type	Fixed lens	
Mount Type	Board-in Type	
Video		
Compression	H.264/H.264H/H.264B/MJPEG	
Resolution	1080P(1920×1080)/ 720P(1280×720) / D1(704×576/704×480) / CIF(352×288/352×240)	
Frame Rate	Main Stream	1080P/720P(1~25/30fps)
	Sub Stream	D1/CIF(1~25/30fps)
	Third Stream	720P(1~13/4fps)
Bit Rate	H.264: 32Kbps~10Mbps	
Corridor Mode	Support	
Audio		
Compression	G.711a/ G.711u/ AAC(only for -AS)	
Interface	1/1 channel In/Out(only for -AS)	
Smart Function(Optional)		
Smart detection	Tripwire	
	Intrusion	
	Abandoned/Missing	
	Scene Change	
	Audio detect	

DH-IPC-HFW4221B(-AS)

	Face detect
Network	
Ethernet	RJ-45 (10/100Base-T)
Wi-Fi	N/A
Protocol	IPv4/IPv6, HTTP, HTTPS, SSL, TCP/IP, UDP, UPnP, ICMP, IGMP, SNMP, RTSP, RTP, SMTP, NTP, DHCP, DNS, PPPOE, DDNS, FTP, IP Filter, QoS, Bonjour,802.1x
Compatibility	ONVIF, PSIA, CGI
Max. User Access	20 users
Smart Phone	iPhone, iPad, Android, Windows Phone
Auxiliary Interface	
Memory Slot	Micro SD Max 128GB(only for -AS)
RS485	N/A
Alarm	1/1 channel In/Out(only for -AS)
PIR Sensor Range	N/A
General	
Power Supply	DC12V, PoE (802.3af)
Power Consumption	Max 3.7W
Working Environment	-30°C~ +60°C, Less than 95% RH
Ingress Protection	IP67
Vandal Resistance	N/A
Dimensions	Φ 90.4mm×241.8mm
Weight	0.61Kg(with package 0.80kg)

DH-IPC-HFW4221B(-AS)

Dimensions (mm)



Accessories (optional)

PFA135	PFA122	PFA150	PFA151	PFA152
